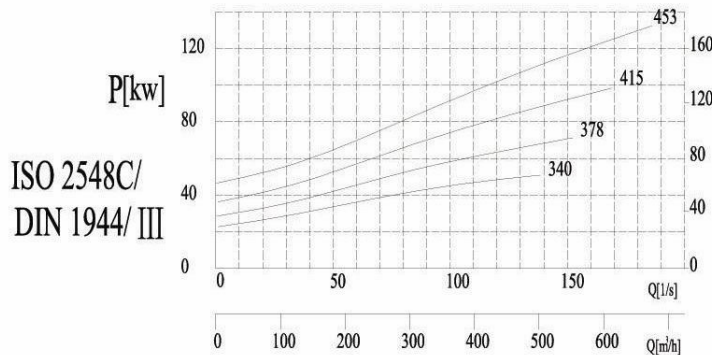
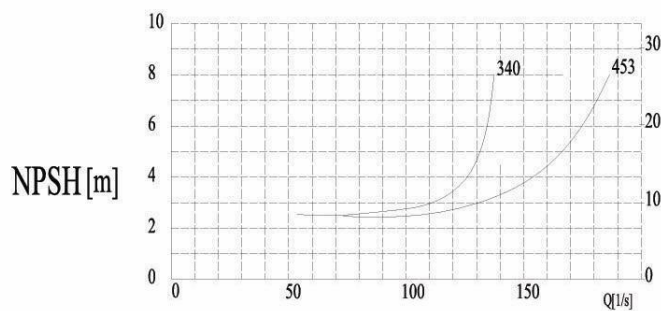
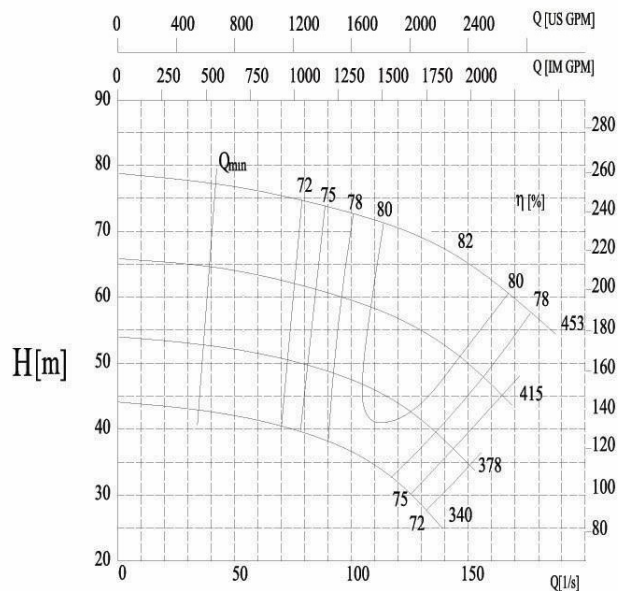
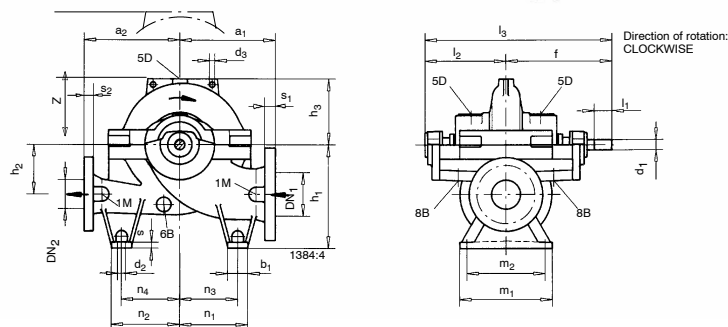


Pump Model CPS 200-150-460

Speed **1450rpm**



ISO 2548C/
DIN 1944/ III



Pump Size	FLANGE DIMENSIONS				PUMP DIMENSIONS									
	DN1	DN2	s1	s2	a1	a2	d3	f	h1	h2	h3	l2	l3	z
CPS 200-150-460	200	150	41	37	450	450	19	590	400	200	305	399	989	610
	FOOT DIMENSIONS									SHAFT		PUMP WEIGHT		
	b1	d2	m1	m2	n1	n2	n3	n4	s	d1	L1	(kg)		
70	18	480	430	315	315	280	280	20	55	125	440			